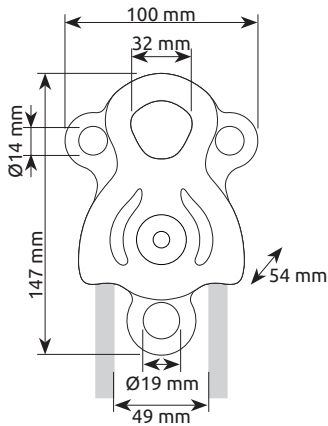


A high strength multifunctional double pulley for block-and-tackle systems and complex operations. Features large wheels, a main attachment point that accommodates three carabiners, and a large becket with a large bottom attachment point and two secondary attachment points on the sides for linking, positioning and attaching progress capture systems. For use with ropes up to 16 mm. Prusik minding, the self-locking knot can be installed on both sides of both wheels. Sealed ball bearings for high efficiency and intensive use at high speed. Efficiency: 97%. Aluminum alloy body and wheels, stainless steel axle.



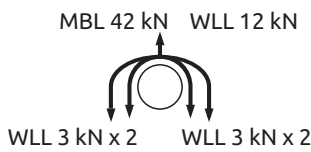
Main attachment hole that accommodates three carabiners

Two secondary holes on the sides
MBL 21 kN
WLL 4 kN

Prusik minding, the self-locking knot can be installed on both sides of both wheels

Sealed ball bearings

Becket
MBL 21 kN
WLL 4 kN



| Ref. | Product name | Weight | | Inner sheave diameter | Rope diameter | Working load max | Breaking load | CE | EAC |
|------|--------------|--------|------|-----------------------|---------------|------------------|---------------|----------|-----|
| | | g | oz | mm | Max - mm | kN | kN | | |
| 2161 | JANUS PRO | 425 | 15.0 | 49 | 16 | 3 kN x 4 = 12 kN | 42 | EN 12278 | • |