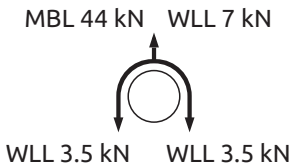
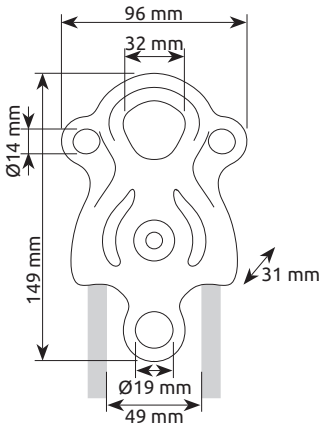


A high strength multifunctional pulley for heavy hauling and complex operations. Features a large wheel, a main attachment point that accommodates three carabiners, a large bottom attachment point, and two secondary attachment points on the sides for linking, positioning and attaching progress capture systems. For use with ropes up to 16 mm. Prusik minding, the self-locking knot can be installed on both sides. Self-lubricated bushings are sufficient for light applications at low speed.

Efficiency: 90%. Aluminum alloy body and wheel, stainless steel axle.



Ref.	Product name	Weight		Inner sheave diameter mm	Rope diameter Max - mm	Working load max kN	Breaking load kN	CE EN 12278	EAC
		g	oz						
2158	NAIAD	280	9.9	49	16	3.5 kN x 2 = 7 kN	44	•	•