

TETHYS PRO

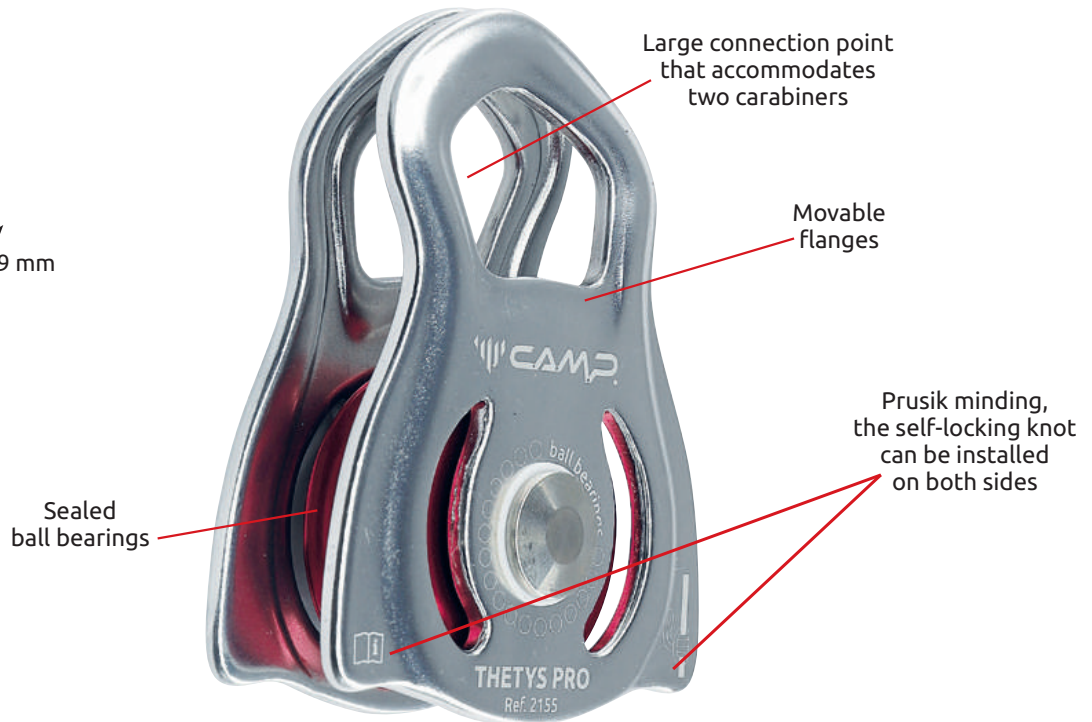
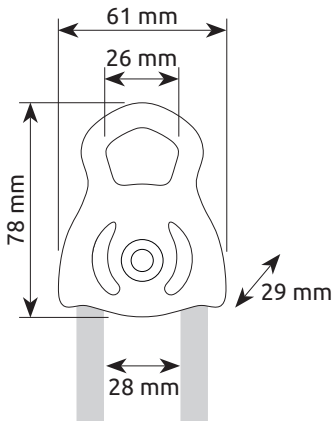
PULLEY

Ref. 2155

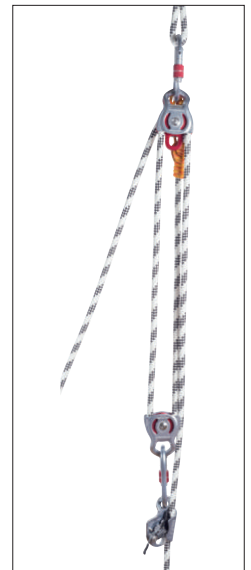
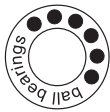
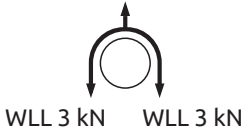
ROPE ACCESS, TREE CLIMBING, TEAM RESCUE

A compact and lightweight pulley with rotating flanges and a large attachment point that accommodates two carabiners. For use with ropes up to 13 mm. Prusik minding, the self-locking knot can be installed on both sides. Sealed ball bearings for high efficiency and intensive use at high speed.

Efficiency: 92%. Aluminum alloy body and wheel, stainless steel axle.



MBL 25 kN WLL 6 kN



Ref.	Product name	Weight		Inner sheave diameter mm	Rope diameter Max - mm	Working load max kN	Breaking load kN	CE EN 12278	EAC
		g	oz						
2155	TETHYS PRO	90	3.2	28	13	3 kN x 2 = 6 kN	25	•	•