

# SPHINX PRO

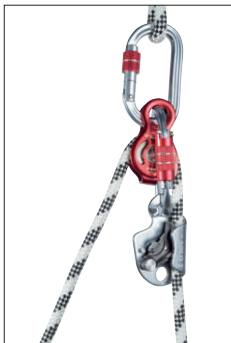
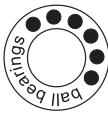
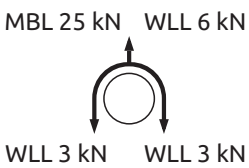
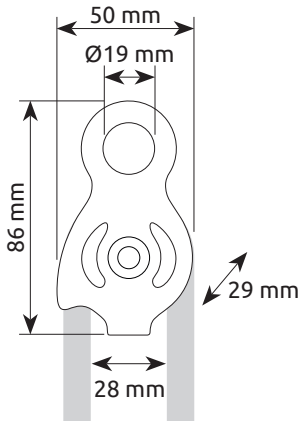
PULLEY

Ref. 2153

ROPE ACCESS, TREE CLIMBING, TEAM RESCUE

An ultra slim, highly functional fixed pulley. The main attachment point allows for full rotation of the carabiner. For use with ropes up to 13 mm. Prusik minding, the self-locking knot can be installed on one side. Sealed ball bearings for high efficiency and intensive use at high speed.

Efficiency: 92%. Aluminum alloy body and wheel, stainless steel axle.



Ref.	Product name	Weight		Inner sheave diameter	Rope diameter	Working load max	Breaking load	CE	EAC
		g	oz						
2153	SPHINX PRO	85	3.0	28	13	3 kN x 2 = 6 kN	25	EN 12278	•